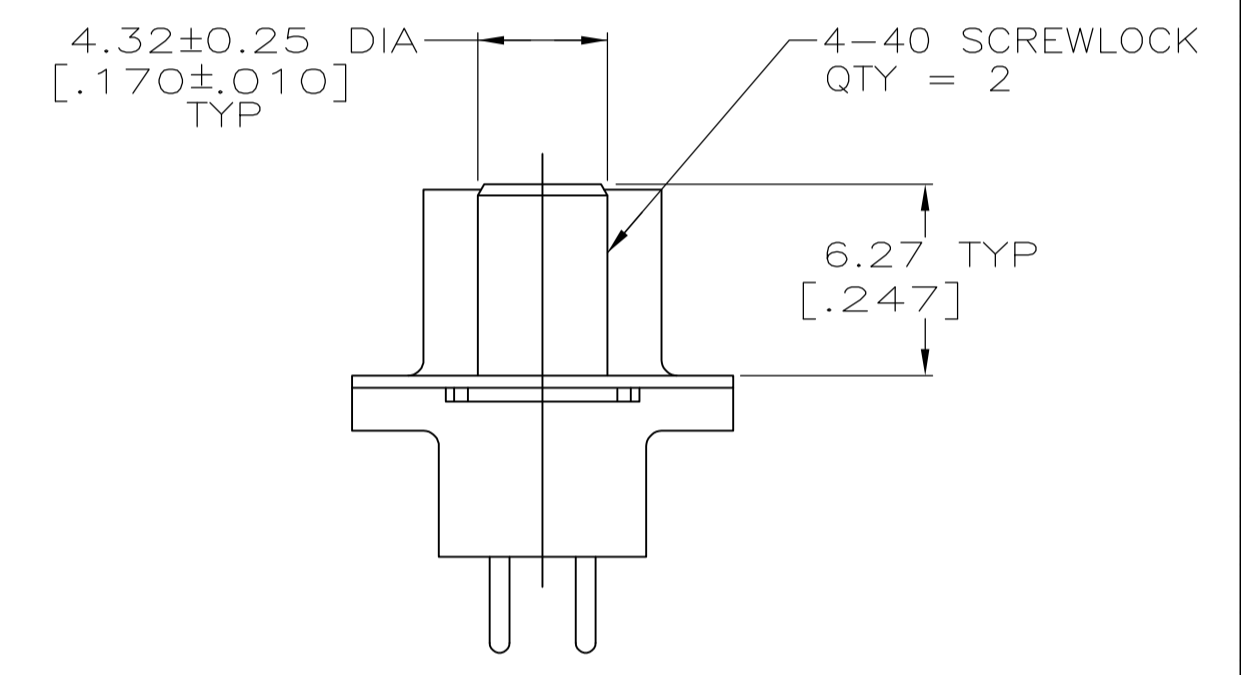
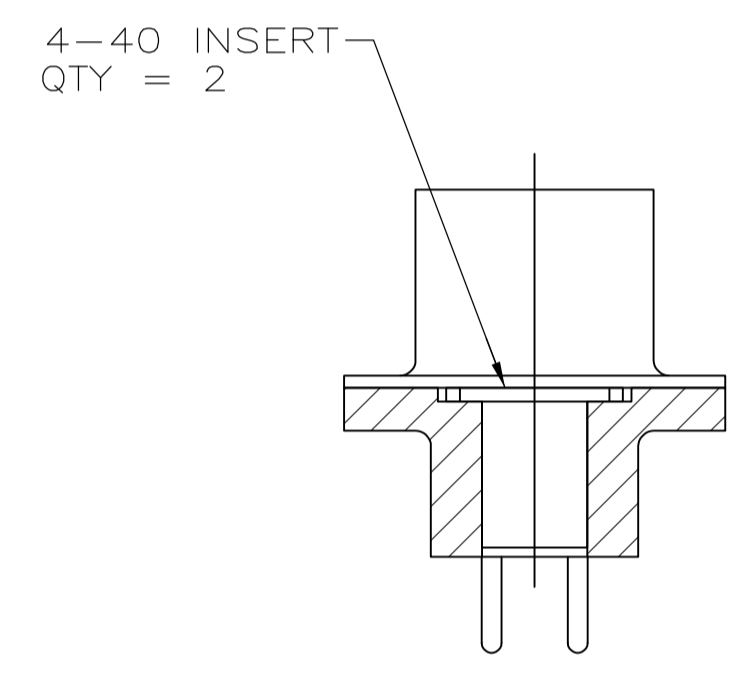
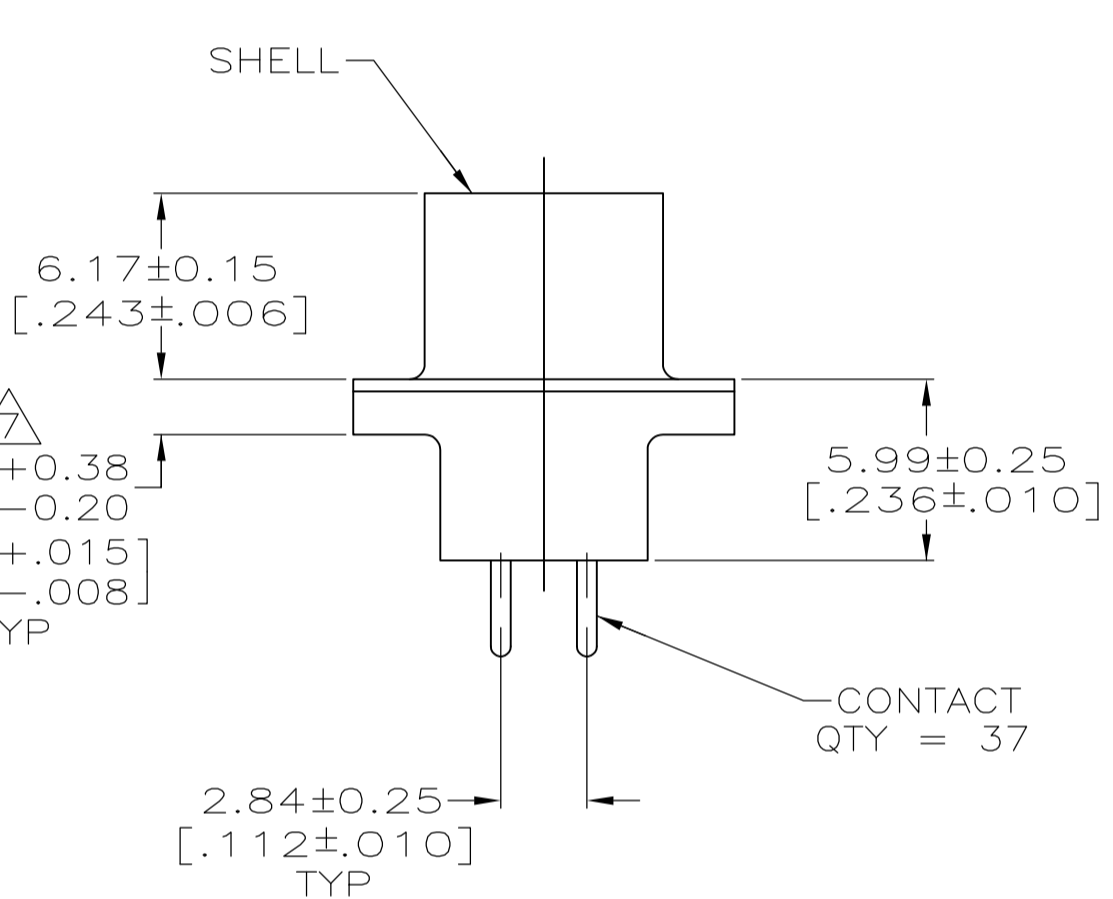
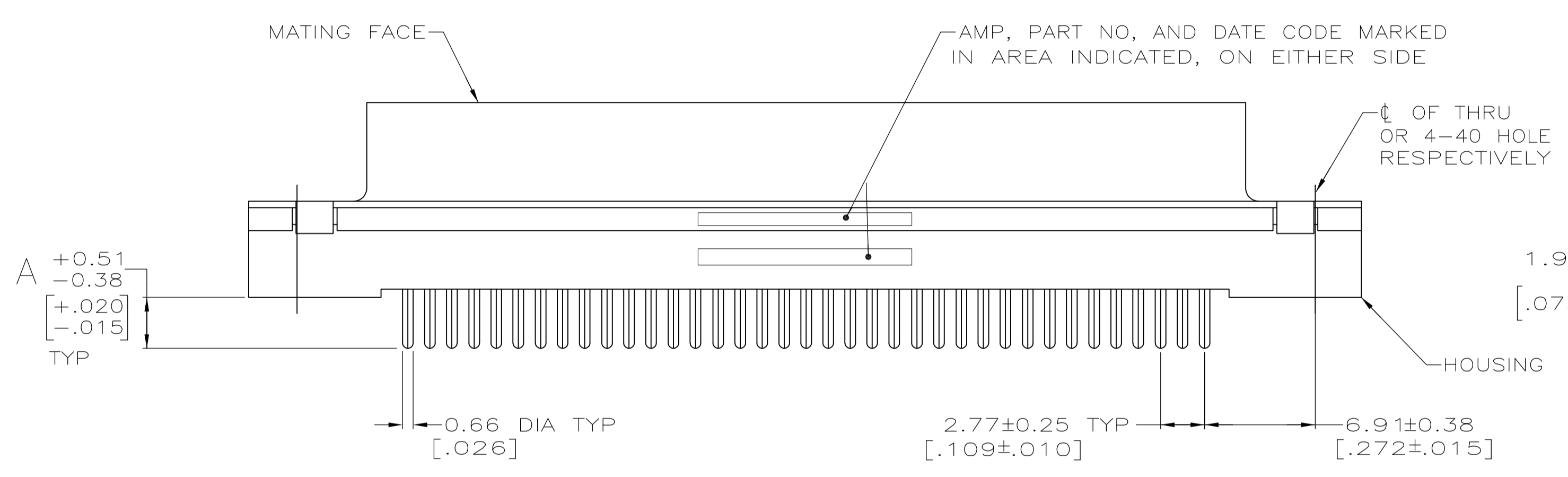
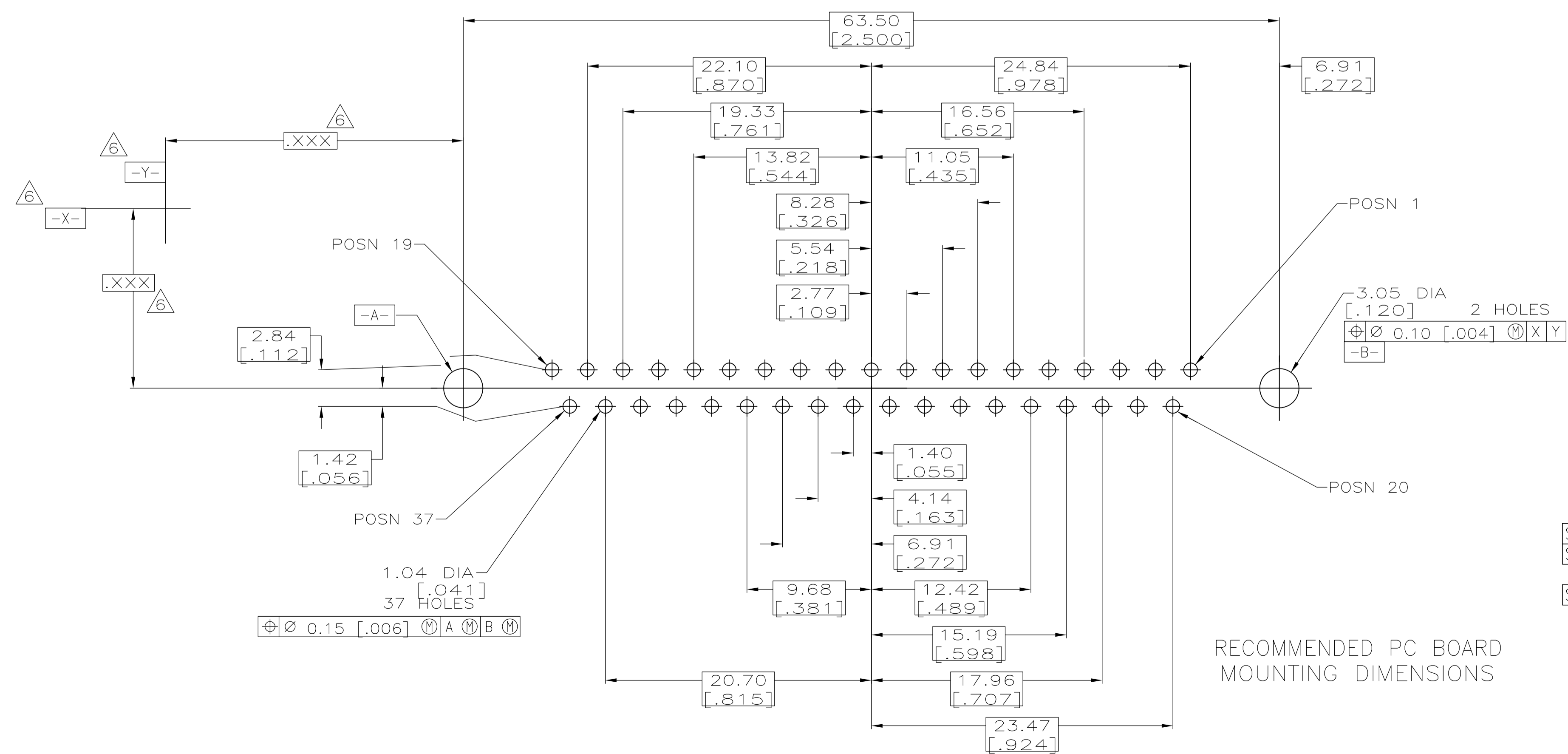


- 1 HOUSING: BLACK POLYESTER, UL 94V-0 RATED; CONTACT: PHOSPHOR BRONZE SHELL: CARBON STEEL; SCREWLOCK: ZINC; INSERT: BRASS.
- 2 NOTE DELETED.
- 3 GOLD FLASH FOR A LENGTH OF 2.54[.100] MIN FROM MATING END, 2.54μm[.000100] MIN TIN OR TIN-LEAD FOR A LENGTH OF DIMENSION A FROM OPPOSITE END, BOTH OVER 1.27μm[.000050] MIN NICKEL.
- 4 0.76μm[.000030] MIN GOLD FOR A LENGTH OF 2.54[.100] MIN FROM MATING END, 2.54μm[.000100] MIN TIN OR TIN-LEAD FOR A LENGTH OF DIMENSION A FROM OPPOSITE END, BOTH OVER 1.27μm[.000050] MIN NICKEL.
- 5 5.08μm[.000200] MIN TIN OVER 2.54μm[.000100] MIN COPPER.
- 6 DATUMS AND BASIC DIMENSIONS ESTABLISHED BY CUSTOMERS.
- 7 2.79[.110] MAX IN SHELL TAB CLINCH AREAS.



DETAIL D

DETAIL E



RECOMMENDED PC BOARD MOUNTING DIMENSIONS

REV	DESCRIPTION	DATE	DWN	APVD	PART NUMBER
OBSOLETE	6.35 [.250]	4-40 SCREWLOCK (DETAIL E)	1		1-747301-8
OBSOLETE	6.35 [.250]	4-40 SCREWLOCK (DETAIL E)	3		1-747301-7
	4.32 [.170]	4-40 SCREWLOCK (DETAIL E)	4		1-747301-6
OBSOLETE	4.32 [.170]	4-40 SCREWLOCK (DETAIL E)	3		1-747301-5
	3.18 [.125]	4-40 SCREWLOCK (DETAIL E)	4		1-747301-4
OBSOLETE	3.18 [.125]	4-40 SCREWLOCK (DETAIL E)	3		1-747301-3
OBSOLETE	6.35 [.250]	4-40 INSERT (DETAIL D)	4		1-747301-2
OBSOLETE	6.35 [.250]	4-40 INSERT (DETAIL D)	3		1-747301-1
OBSOLETE	4.32 [.170]	4-40 INSERT (DETAIL D)	4		1-747301-0
OBSOLETE	4.32 [.170]	4-40 INSERT (DETAIL D)	3		747301-9
	3.18 [.125]	4-40 INSERT (DETAIL D)	4		747301-8
	3.18 [.125]	4-40 INSERT (DETAIL D)	3		747301-7
OBSOLETE	6.35 [.250]	-	4		747301-6
OBSOLETE	6.35 [.250]	-	3		747301-5
SUPERSEDED BY 747301-2	4.32 [.170]	-	4		747301-4
SUPERSEDED BY 747301-4	4.32 [.170]	-	3		747301-3
	3.18 [.125]	-	4		747301-2
SUPERSEDED BY 747301-2	3.18 [.125]	-	3		747301-1

THIS DRAWING IS A CONTROLLED DOCUMENT.		DIN J. McCLINTON 12-4-89		Tyco Electronics Corporation	
DIMENSIONS: INCHES		CIR R. STONE 2-1-90		Tyco Electronics Corporation Harrisburg, PA 17105-3608	
TOLERANCES UNLESS OTHERWISE SPECIFIED:		APVD G. ROHDE 2-2-90		NAME	
0 PLC ± -	1 PLC ± -	PRODUCT SPEC		RECEPTACLE ASSEMBLY, SIZE 4, 37 POSN, VERTICAL, FRONT METAL SHELL, AMPLIMITE HD-20	
2 PLC ± 0.13 [.005]	3 PLC ± -	APPLICATION SPEC		SIZE	
4 PLC ± -	ANGLES ± -	114-40023		CASE CODE DRAWING NO	
MATERIAL		WEIGHT		RESTRICTED TO	
FINISH		A1 00779 C=747301		CUSTOMER DRAWING	
SEE TABLE		SCALE 4:1		SHEET 1 OF 1	